

FROSTLINE®

FROST- PROOF AUTOMATIC DRINKING SYSTEM
FRESH WATER SUPPLY FOR FREE RANGE PIGS ALL YEAR ROUND
- WITHOUT THE USE OF ELECTRICITY



www.frostline.dk

FROST-PROOF AUTOMATIC DRINKING SYSTEM FOR FREE RANGE PIGS

FROSTLINE® automatic drinking systems ensure fresh, cool water for pigs regardless of the weather, all year round. In winter, the pigs can drink as needed, which means a minimum of work with the water supply. In summer, there are no huge tubs filled with stale water that require changing and cleaning due to algae.

The drinking bowl is made from stainless steel and is quite deep. The pigs operate the system by pressing with the root of their noses instead of their snouts. This assures a water surface which allows the pigs to drink naturally.

The design and functionality of the bowl makes it possible to reduce water wastage to a minimum.

The drinking system is fitted with a patented self-emptying sliding valve ensuring that the tap remains frost proof even at hard freezing temperatures. The seals can be replaced without digging up the well. Pull the system out of the well, dismantle the valve and change the seals (o-rings).

PRODUCT

Designation: Automatic drinking system A640.
Supplied complete with well
Tapping: D8mm supply nozzle
Connection: ½" nipple pipe thread

INSTALLATION DIMENSIONS

Height to bowl: 170mm
Pipe stand height : 365mm
Overall height: 1265mm
Well: D200 x 900mm

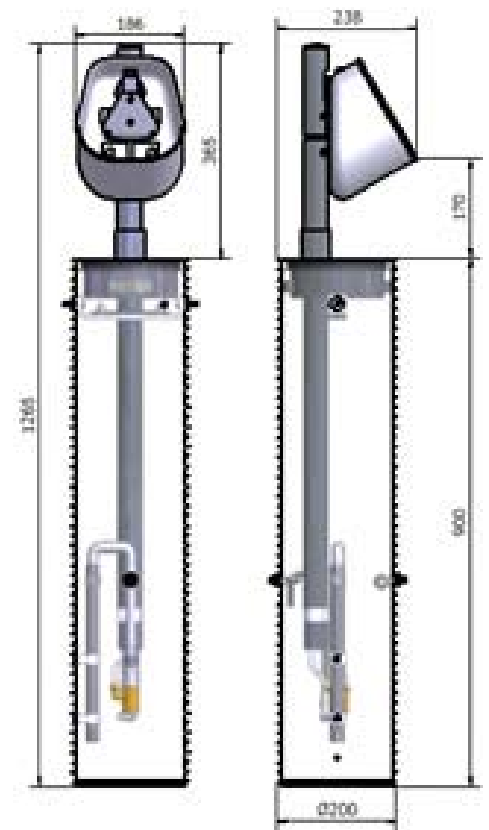
SHIPPING

Dimensions, H-W-D: 1280 x 200 x 238mm
Weight: 9,0kg - complete with well

VALVE

FROSTLINE® self-emptying sliding valve
Capacity: 9 l/min. at 2-4 bar
connection pressure: 2-6 bar
O-rings: NBR - 1 x D9x1,5 70sh, 2 x D6x1,5 70sh

MODEL		
A640	69.48.91.120	Automatic Drinking system



OPERATION OF THE VALVE

The system is provided with a 3-way self-emptying sliding valve. When the system is not in use, the valve and riser pipe are emptied of water that might otherwise freeze. The drinking system and thus the valve and riser pipe are frost-proof as long as the water supply line for the system is at frost-free depth.

