

6

5

4

3

2

1

D

D

C

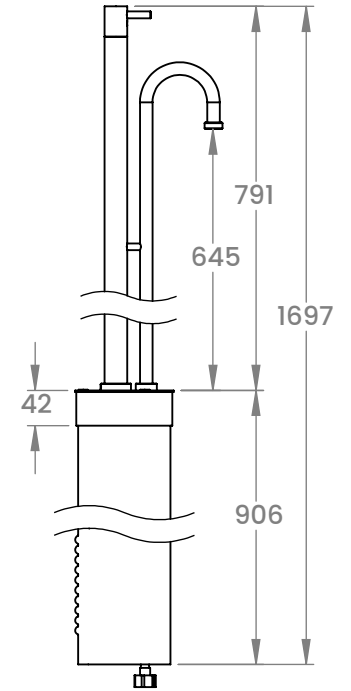
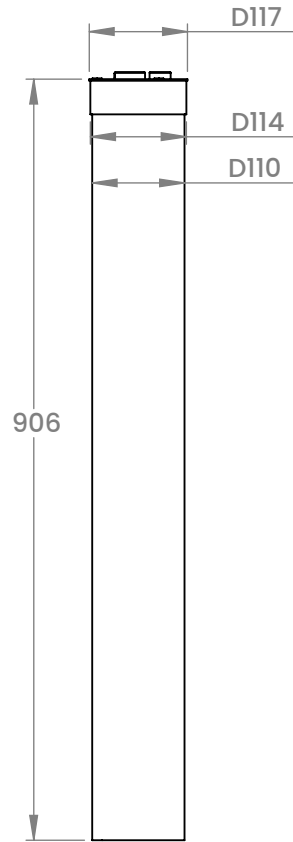
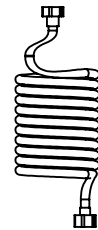
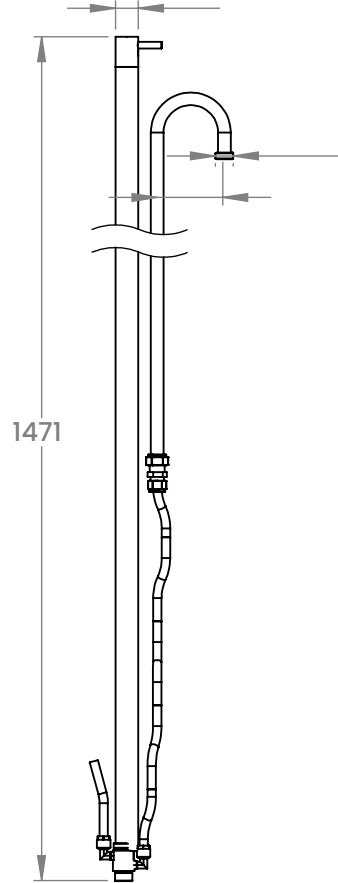
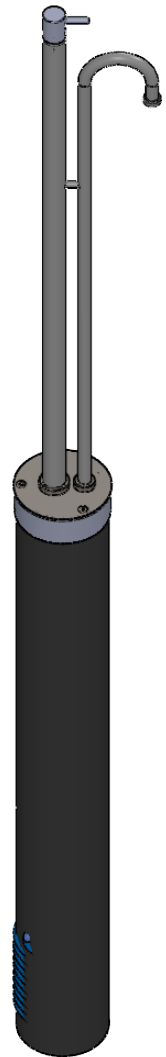
C

B

B

A

A



		Scale:	Comment:	Date: 16-01-2023
		1:9		Initials: BLH/RT
Description: EQI free standing water tap	Beskrivelse: EQI fritstående vandpost	Model: 4046		

6

5

4

3

2

1