



4046

## EQI FREE STANDING WATER TAP

The free-standing water tap from the EQI series is for you who value quality and timeless design. With this solution, you get an innovative frost-free water solution that, like all our products, is hand-assembled in Denmark and produced from solid materials.

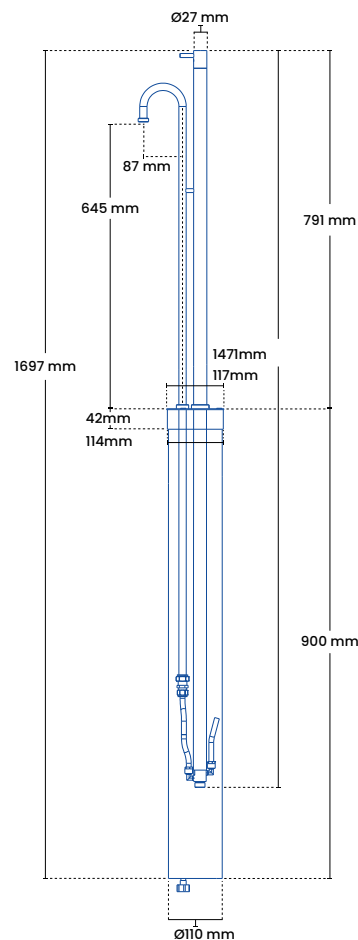
This variant has a tap height of 645 mm.

# EQI FREE STANDING WATER TAP

Frostline is manufactured in Denmark and today has more than 25 years of experience. We offer a wide range of frost-free outdoor products in beautiful design, high quality and with great functionality. The water post works by a self-draining mechanical valve emptying it of water after use, so you can use it all year round. Our products do not require the use of electricity to ensure frost-freeness, and are made of stainless steel, so environmentally friendly in every way. The water dispenser is a handle, which provides simple operation and good comfort. The product is delivered complete with well.

## We recommend

It is recommended to use a supply water line of PEM pipe of 25mm or larger.



Glass blown

## Specifications

### Installation target

Stand height	791 mm
Tap height	645 mm
Jump riser to spout	87 mm
Well	Ø110 mm x 906 mm
Top well	Ø114 mm
Cover	Ø117 mm
Valve depth in well	600 mm (minimum)
Connection	½"
Hose connection	½"

### Product dimensions

Total height	1492 mm
Total width	117 mm

### Packaging

Measure H-B-D	1820 x 220 x 125 mm
Weight	6 kg

### Frostline valve

Capacity	23 l/min.
O-rings	Gasket set 9010

### Models

Product	plumbing no.	Description
4046	743472.554	Glass-blown stainless steel

**With a well** For function and guarantee, there is a requirement for a frost-free water supply all year round, that the well is buried so that the top is in the ground and that the well is dry at all times. Below 5 degrees, no hose nozzles or equipment may be fitted.