



5032/71

EQI WALL-HANGED OUTDOOR SHOWER

With curved shower head

The wall-mounted outdoor shower from the EQI series comes with cold or pre-mixed water. You get a frost-free solution that guarantees you a refreshing rinse exactly when you want. The minimalist look makes the shower suitable for all outdoor environments.

The shower is hand-assembled in Denmark and produced from solid materials, so you get a frost-proof solution that you can enjoy for many years.

EQI WALL-HANGED OUTDOOR SHOWER

With curved shower head

Frostline is manufactured in Denmark and today has more than 25 years of experience. We offer a wide range of frost-free outdoor products in beautiful design, high quality and with great functionality. The shower works by a mechanical valve automatically emptying the shower of water after use, so you can use it all year round. Our products do not require the use of electricity to ensure frost-freeness, and are made of stainless steel, so environmentally friendly in every way.



Glass blown

IMPORTANT

Wall mounting: For frost-proof function and guarantee, there is a requirement for a frost-free water supply all year round and that the product has a fall of at least 2-3‰ towards the outer wall. Furthermore, that a product in standard dimensions is used. Note: At temperatures below 5 degrees, hose nozzles or other equipment that reduces light must not be fitted.

Specifications

Product dimensions

Connection	15 mm or ½"
Back plate H-B	60mm x 105mm
Shower head	Ø 143 mm
Shower pipe	Ø 15 mm
Armature	Ø 27 mm

Packaging

Measure H-B-D	1550 x 205 x 85 mm
Weight	4.3 kg

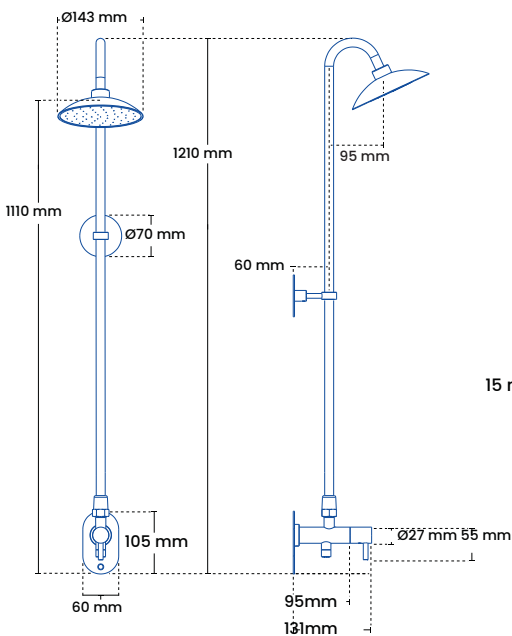
Frostline valve

Capacity	23 l/min. Max 6 bar
O-rings	Gasket set 9010

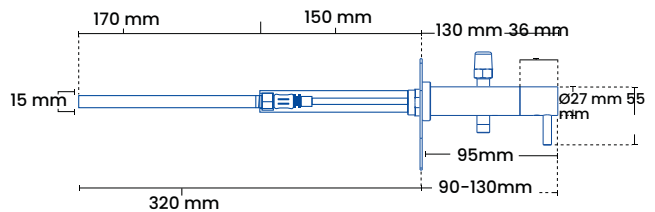
Models

Product	plumbing no.	Description
5032-101	743474.714	150-350 mm
5032-101	743474,734	300-550 mm

See more variants in the price list.



150-350 mm



300-550 mm

