



4012

EQI FREE STANDING WATER TAP

With the minimalistic and frost-free EQI tap, you get a tap that has an elegant Nordic look. The product is made from solid materials that are hand-assembled in Denmark.

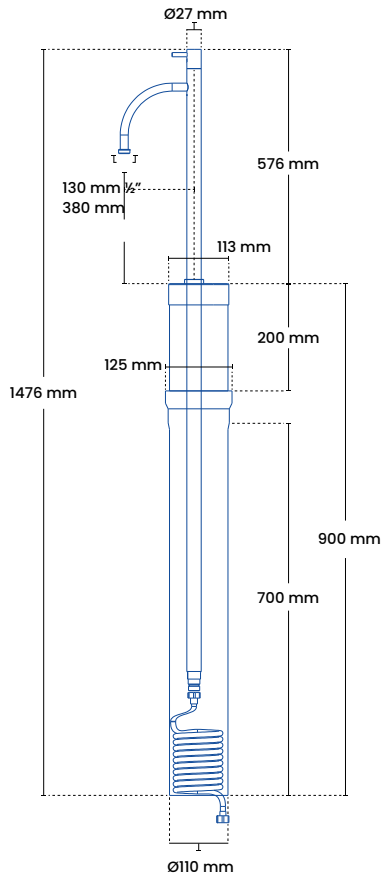
This variant has a tap height of 380 mm.

EQI FREE STANDING WATER TAP

Frostline is manufactured in Denmark and today has more than 25 years of experience. We offer a wide range of frost-free outdoor products in beautiful design, high quality and with great functionality. The water post works by a self-draining mechanical valve emptying it of water after use, so you can use it all year round. Our products do not require the use of electricity to ensure frost-freeness, and are made of stainless steel, so environmentally friendly in every way. The water tap is a handle, which provides simple operation and good comfort. The product is delivered complete with well.

We recommend

It is recommended to use a supply water line of PEM pipe of 25mm or larger.



Glass blown



Copper

Specifications

Installation target

Stand height	576 mm
Tap height	380 mm
Jump riser to spout	130 mm
Under well	Ø110 mm x 700 mm (with sleeve)
Top well	Ø110 mm x 200 mm
Cover	Ø113 mm
Valve depth in well	600 mm (minimum)
Connection	½"
Hose connection	½"

Product dimensions

Total height	1476 mm
Total width	113 mm

Packaging

Measure H-B-D	1600 x 220 x 125 mm
Weight	4.5 kg

Frostline valve

Capacity	23 l/min. 2-6 bars
O-rings	Gasket set 9010

Models

Product	plumbing no.	Description
4012	743472.104	Glass-blown stainless steel
4012	743472.108	Copper

With a well For function and guarantee, there is a requirement for a frost-free water supply all year round, that the well is buried so that the top is in the ground and that the well is dry at all times. Below 5 degrees, no hose nozzles or equipment may be fitted.