



3018

PRO PUBLIC WALL MOUNTED OUTDOOR SHOWER

The wall mounted outdoor shower from the PRO Public series is suitable for all public places where you need to be able to wash yourself.

Comes with a handle that has a tempo stop. It has an expression that makes it look like a natural part of any facade.

Produced in solid and stainless steel and subsequently hand assembled in Denmark. Thus, you are guaranteed a frost-free solution that lasts year after year.

PRO PUBLIC WALL MOUNTED OUTDOOR SHOWER

Frostline is manufactured in Denmark and today has more than 25 years of experience. We offer a wide range of frost-free outdoor products in beautiful design, high quality and with great functionality. The shower works by a self-draining mechanical valve emptying the shower of water after use, so you can shower all year round. Our products do not require the use of electricity to ensure frost-freeness, and are made of stainless steel, so environmentally friendly in every way. The shower comes with tempo handle.

Important!

For the function, it is important that the pipe which is led through the wall falls at least 3‰ towards the facade, so that the fixture can be emptied of water. It is possible to shorten the shower rod.

Specifications

Installation target

Stand height from handle	1500 mm (can be shortened)
Pin height from handle	1400 mm (can be shortened)
Riser to center	165 mm
Luminaire center distance	85 mm
Shower head	Ø 128 mm
Back plate	W 180 mm x h 140 mm
Connection	

Product dimensions

Total height	Up to 1500 mm (can be shortened)
Total width	180 mm

Packaging

Measure H-B-D	1500 x 210 x 85 mm
Weight	3.8 kg

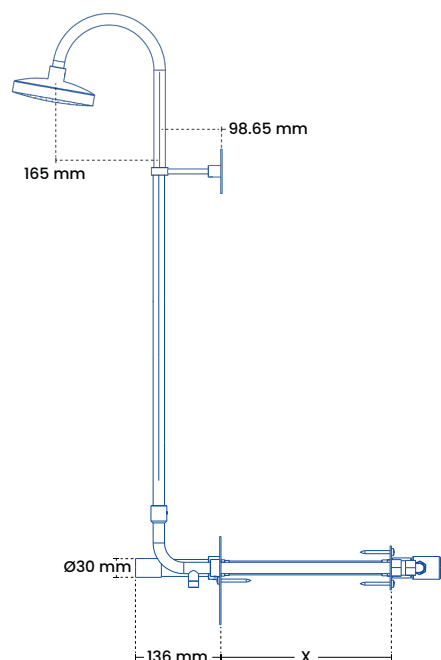
Frostline valve

Capacity	18 l/min. 3-6 bars
----------	--------------------

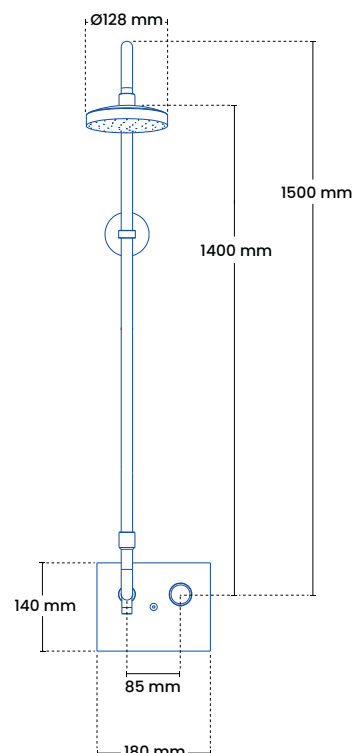
Models

Product	plumbing no.	Wall thickness
3018	743491134	180 - 220 mm
3018	743491154	260 - 300 mm
3018	743491174	340 - 380 mm
3018	743491194	420 - 460 mm

See more variants in the price list.



Wall thicknesses:
"X" indicates the installation dimension



Stained

For wall mounting For function and warranty, there are requirements for a frost-free water supply all year round, that the product has a fall of at least 3‰ towards the outer wall and that a product in standard dimensions is used. Below 5 degrees, no hose nozzles or equipment may be fitted.