



2070

## PRO WALL VALVE

With a WALL from the PRO series, you get a frost-free product, created for industrial use where a larger amount of water is needed.

The surface is made of stained stainless steel. Both the connection and the outlet are  $\frac{3}{4}$ ".

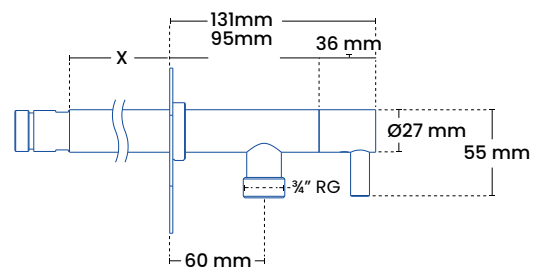
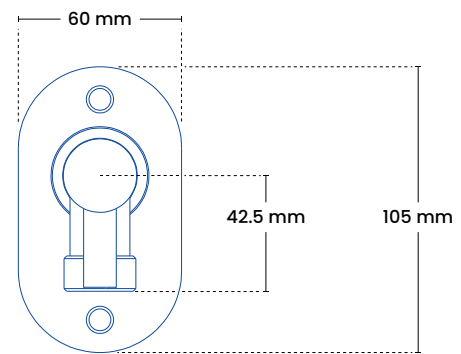
# PRO WALL VALVE

Frostline is manufactured in Denmark and today has more than 25 years of experience. We offer a wide range of frost-free outdoor products in beautiful design, high quality and with great functionality. The tap valve works by a self-draining mechanical valve emptying the tap valve of water after use, so you can use it all year round. Our products do not require the use of electricity to ensure frost-freeness, and are made of stainless steel, so environmentally friendly in every way.

The water dispenser is a handle, which provides simple operation and good comfort.

## Important!

For the function, it is important that the pipe which is led through the wall falls at least 3‰ towards the facade, so that the fixture can be emptied of water.



Stained

## Specifications

### Installation target

Back plate	W 60 mm H 105 mm
Connection	3/4"
Hose connection	3/4"

### Product dimensions

Total height	105 mm
Total width	60 mm
Jump from front edge to facade	131 mm

### Packaging

Measure H-B-D	45 x 80 x 800 mm
Weight	1.3 kg

### Frostline valve

Capacity	30-40 l/min.
O-rings	Gasket set 9012

### Models

Product	plumbing no.	Wall thickness
2070	743456.226	200 mm
2070	743456.246	400 mm
2070	743456.266	600 mm

See more variants in the price list.

**For wall mounting** For function and warranty, there are requirements for a frost-free water supply all year round, that the product has a fall of at least 3‰ towards the outer wall and that a product in standard dimensions is used. Below 5 degrees, no hose nozzles or equipment may be fitted.