



4275

PRO FREE STANDING WORKING WATER TAP

With a working water tap from the PRO series, you get a frost-free product created for industrial use where a larger amount of water is needed, such as construction sites, industry, production companies and recycling sites.

The surface is made of stained stainless steel and is made of solid stainless steel. Both the connection and the outlet are $\frac{3}{4}$ ".

Delivered in well. The tap height is up to 884 mm.

PRO FREE STANDING WORKING WATER TAP

Frostline is manufactured in Denmark and today has more than 25 years of experience. We offer a wide range of frost-free outdoor products in beautiful design, high quality and with great functionality.

The water stand works by a self-draining mechanical valve emptying the water dispenser of water after use, which ensures fresh water all year round. Our products do not require the use of electricity to ensure frost-freeness, and are made of stainless steel – so environmentally friendly in every way. The water dispenser is one-handle, which provides simple operation and good comfort.

We recommend

It is recommended to use a supply water line of PEM pipe of 25mm or larger.

Specifications

Installation target

Stand height	1036 mm
Tap height up to	884 mm
Jump riser to spout	125 mm
Well	Ø110 mm x 900 mm
Cover	117 mm
Valve depth in well	600 mm (minimum)
Connectio	3/4"
Hose connection	3/4"

Product dimensions

Total height	1942 mm
Total width	117 mm

Packaging

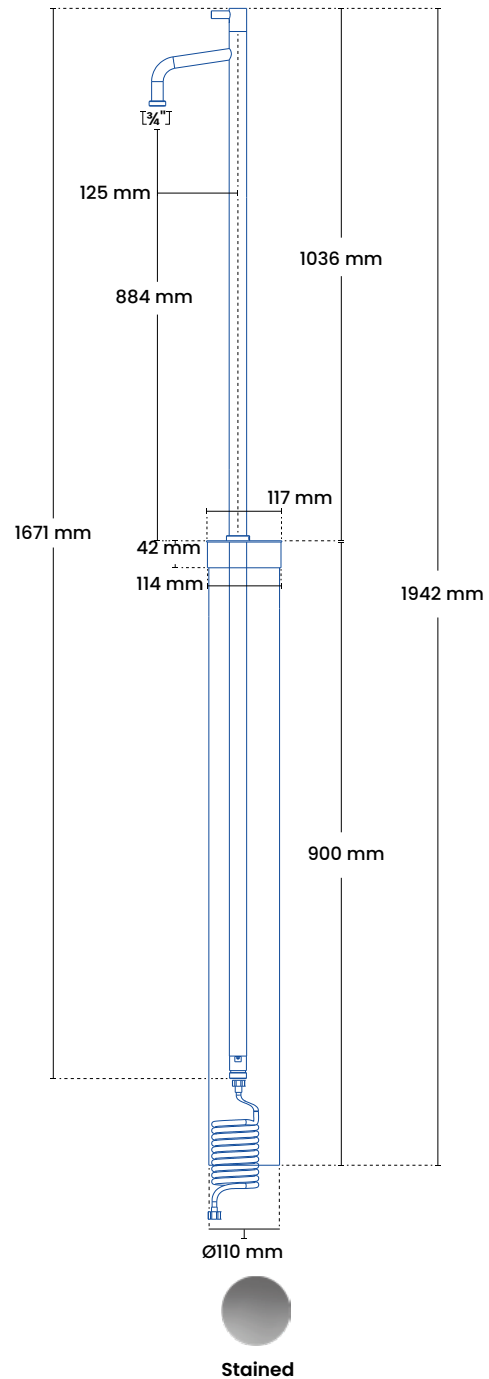
Measure H-B-D	1950 x 220 x 120 mm
Weight	5.6 kg

Frostline valve

Capacity	40 l/min. 2-6 bar
O-rings	Gasket set 9012

Models

Product	plumbing no.	Description
4275	743478.306	Stained stainless steel



With a well For function and guarantee, there is a requirement for a frost-free water supply all year round, that the well is buried so that the top is in the ground and that the well is dry at all times. Below 5 degrees, no hose nozzles or equipment may be fitted.