



3117

PRO PUBLIC BUILT-IN WALL MOUNTED OUTDOOR SHOWER

The wall-mounted outdoor shower from the PRO Public series is suitable for all public places where you need to be able to wash yourself.

Comes with a handle that has a tempo stop. It has an expression that makes it look like a natural part of any facade.

Produced in solid and stainless steel and subsequently hand assembled in Denmark. Thus, you are guaranteed a frost-free solution that lasts year after year.



PRO PUBLIC BUILT-IN WALL MOUNTED OUTDOOR SHOWER

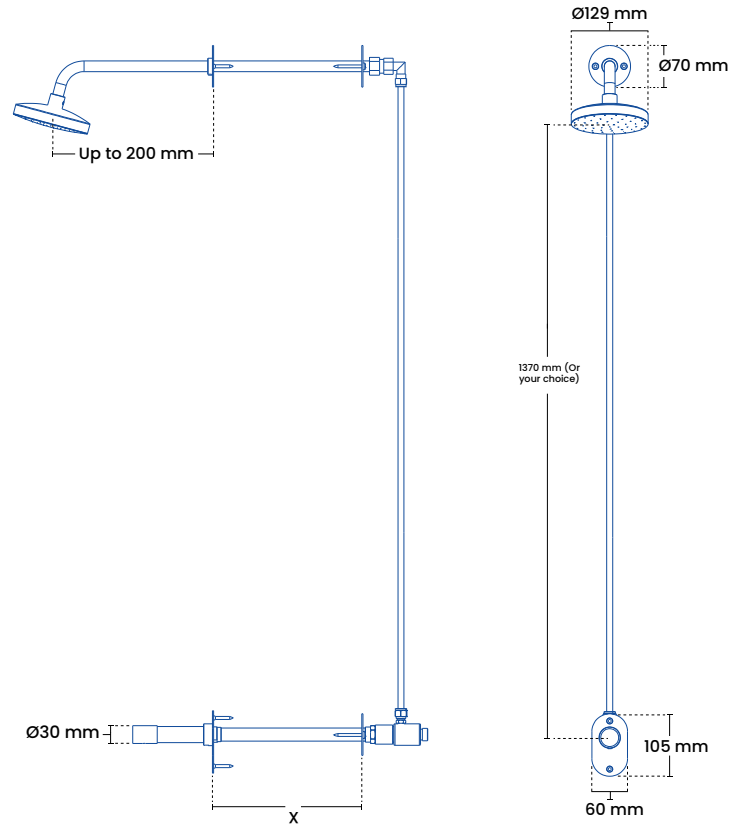
Frostline is manufactured in Denmark and today has more than 25 years of experience. We offer a wide range of frost-free outdoor products in beautiful design, high quality and with great functionality. The shower works by a self-draining mechanical valve emptying the shower of water after use, so you can shower all year round. Our products do not require the use of electricity to ensure frost-freeness, and are made of stainless steel, so environmentally friendly in every way. The shower is one-lever.

Possibility of tempered water

It is possible to bathe in water with a desired temperature. It is done quite simply with a mixing circuit on the water connection. An environmentally sound and advantageous solution, as you both save costs for installation and operation, as well as ensuring good daily comfort. You get the same water temperature every time, and at the same time avoid accidental scalding and large heat losses in the water supply. The temperature can be regulated as desired.

Important!

For the function, it is important that the pipe which is led through the wall falls at least 3‰ towards the facade, so that the fixture can be emptied of water.



Wall thicknesses:
"X" indicates the installation dimension



Stained

Specifications

Installation target

Pin height from handle	1370 mm (optional)
Jump from facade to center shower head	Up to 200 mm
Shower head	Ø 129 mm
Connection	½"
Hose connection	½"

Product dimensions

Total height	(of your choice)
Total width	129 mm

Packaging

Measure H-B-D	800 x 210 x 85 mm
Weight	3.1 kg

Frostline valve

Capacity	18 l/min. 2-6 bars
----------	--------------------

Models

Product plumbing no.	Wall thickness
3117 743491.534	180 - 220 mm
3117 743491.564	300 - 340 mm
3117 743491.594	420 - 460 mm

See more variants in the price list.

For wall mounting For function and warranty, there are requirements for a frost-free water supply all year round, that the product has a fall of at least 3‰ towards the outer wall and that a product in standard dimensions is used. Below 5 degrees, no hose nozzles or equipment may be fitted.